



## CANEL OTOMOTIV SAN. VE TIC. A.S.

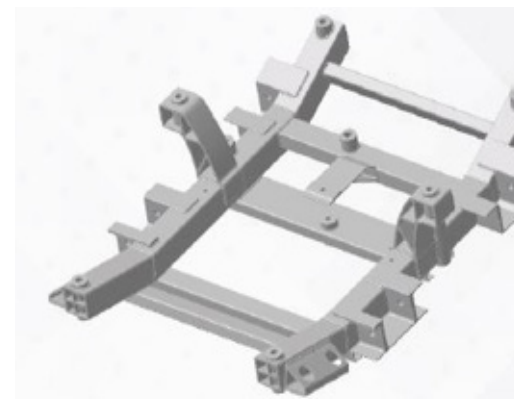
### ABOUT US

Founded in 1988, Canel Otomotiv today provides services in the field of 20,000 m2 in the production of commercial and passenger vehicle parts in the automotive sector and aluminum parts for the rail system sector.

It offers a wide range of products to its customers with a wide variety of aluminum parts, especially vehicle frames, roof racks, luggage and ventilation covers, shock absorbers and sunroofs made of aluminum.

Our company has managed to become the supplier of the world's largest automotive companies thanks to its technical competencies and high quality policy. Our company, which aims to lighten vehicles with the principle of environmentalism, is an organization that aims at the top in its sector with its visual and functional excellence understanding.

[www.canelotomotiv.com.tr](http://www.canelotomotiv.com.tr)



### Company PRODUCTS

- CRASH BOX
- SUBFRAME
- ROOF - RACK
- SUNROOF
- BATTERY TRAY
- MEGABRACE
- RUNNING BOARD
- ALUMINUM FRAMES ( FOR BUSES)
- ALUMINUM FRAMES ( FOR CARAVAN)
- ALUMINUM FRAMES ( FOR TRAIN)

### CERTIFICATES

- IATF 16949
- SO 9001 2015
- ISO 14001
- OHSAS 18001

