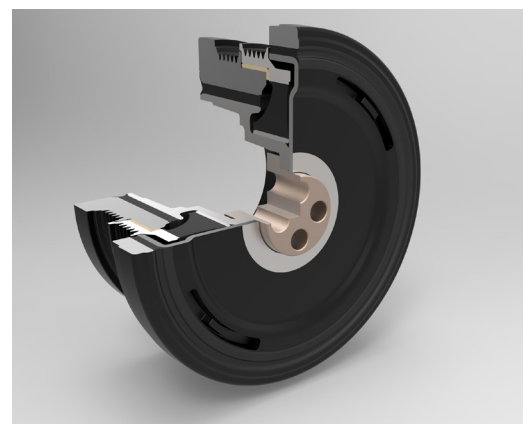
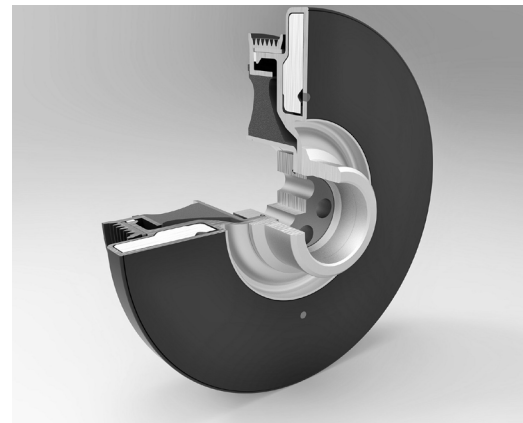




# KENTPAR OTOMOTIV VE MAK. SAN. TIC. LTD. STI.

## ABOUT US

The company founded with the name Kent Automotive in 1971 at Konya city Turkey as a small workshop. In beginning company start to business activities by spare parts of request of domestic wholesale partners. By early 2006 company entered to a process of improvement and started to export crankshaft pulleys. Company always gives high importance of modern facility establishment and high quality production. Since 2005 company has ISO 9001 system and also IATF 16949, ISO 14001, ISO 45001 managing certificates. Company is a trusted and successful partner of OEM, IAM parts by on time delivery, approved quality and competitive price policy. Company produce capacity 1 million products from mix parts and 3,5 million parts one type crankshaft pulley. Exports 95% of its production to mainly EU countries 50% to Germany. We also have the capability of metal forming, deep drawing, rubber and metal parts, rubber injection. Our company has also official R&D Center. Including progressive tool, all molding and equipments are inhouse.



## Company PRODUCTS

- CRANKSHAFT PULLEY
- VIBRATION DAMPER
- TORSIONAL VIBRATION DAMPER
- WATERPUMP PULLEY
- METAL STAMPING PARTS
- DEEP DRAWING PARTS



## CERTIFICATES



[www.kentpar.com](http://www.kentpar.com)