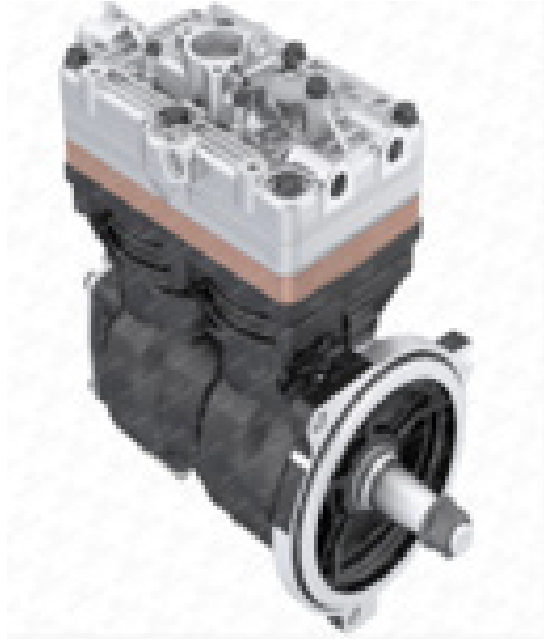




YUMAK OTOMOTIV MAM. SAN. TIC.LTD. STI



www.mehmetyumak.com

ABOUT US

YUMAK was established in 1975 and located in Konya city of Turkey. Company Yumak manufacturing air brake systems and spare parts for European and American trucks and buses. Nowadays, is our company doing his export together with 550 employees in 80 countries. From year to year, we are increasing our Goals. We are continuing with our production in our strong machine park which has a total area of 32000 square meters and a closed area of 24000 square meters.



Company PRODUCTS



- AIR COMPRESSORS & REPAIR KITS
- CLUTCH SERVO
- AIR DRYER VALVE
- CLUTCH MASTER CYLINDER
- GEAR LEVEL ACTUATOR
- LEVELING VALVE
- OIL SUMP
- INTERCOOLER HOSE

CERTIFICATES



- IATF 16949
- EAC
- ISO 9001